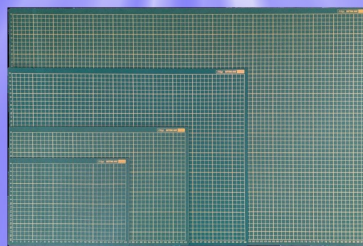
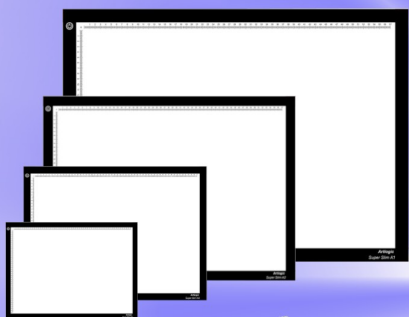


Artlogic®

ART & DESIGN HOBBY & CRAFT

CATALOGUE

Niche Products that Inspire the Creative Spirit



Exclusive Australian Distributor:
INFOCUS GRAFIX PTY LTD



ARTLOGIC – NICHE PRODUCTS THAT INSPIRE THE CREATIVE SPIRIT

Artlogic is dedicated to developing products to meet your creative needs.

This economical, quality range of Art, Craft & Hobby products are designed to provide value for money & ensuring complete customer satisfaction.

The *Artlogic* range includes Airbrushes & Accessories, Spray Equipment, Mini Air Compressors, Pottery Equipment, Artists' Portfolios, Artists' Easels, Knives, Tool Sets, Painting & Craft Accessories, Cutting Mats and much, much more.

Artlogic has a range of products to encompass all of your creative needs.

QUALITY PRODUCTS AT UNBEATABLE PRICES

EXCLUSIVE AUSTRALIAN DISTRIBUTOR



Infocus Grafix Pty Ltd is an Australian owned & operated company dedicated to importing & distributing niche market products to the Art, Graphic, Craft, Hobby & Beauty Industries in Australia & New Zealand.

Whether it's for the professional or the beginner, we have a choice of products throughout our range to meet specific needs both in quality & price.

Infocus Grafix is a customer service orientated company where you, our customer comes first.

Personalised, dedicated & experienced to offer the right advice on all products we distribute – **That's the INFOCUS GRAFIX DIFFERENCE.....**

Make Infocus Grafix Pty Ltd your supplier of choice.

Place Your Order By:



Phone +612 4577 8621

Fast, professional service is just a phone call away.

For reliable advice & personalised service our lines are open

9.00am-5pm Monday -Friday



E-mail info@artlogic.au

At your convenience 24hrs/7days

General Terms & Conditions of Sale

Payment: Infocus Grafix accepts payment by: Direct Deposit or Credit Card (Mastercard & Visa). Note there is a 1.5% surcharge on Credit Card payments.

Credit Terms: 30 Days from Date of Statement. Terms are extended to approved customer accounts only. Any overdue accounts will immediately be placed on “Stop Supply” until the overdue account has been cleared.

Despatch Policy: It is our standard practice to process all orders on an ASAP basis upon receipt.

Minimum Order Value: We do not impose a minimum order value however; all orders are subject to a minimum delivery charge of \$17.50 exclusive of GST. Delivery charge may be altered subject to cubic volume conversion for light, bulky goods. Note stated figures are accurate at the time of printing and are subject to change.

Delivery: Infocus Grafix Pty Ltd will not be responsible for delays in delivery as a result of events occurring beyond its control both prior to or following the despatch of goods. Liability for non-delivery of goods is limited to replacement of the missing goods within a reasonable time as deemed by the company.

Delivery Charges: A nominal delivery charge will apply to all orders within Australia except where the buyer has nominated their own transport company to carry the goods on their behalf or where a change of terms has been negotiated prior to delivery of goods.

Credit Claims: Claims for incorrect, damaged or short-delivered goods will not be recognised unless Infocus Grafix Pty Ltd is notified within 7 days from date of invoice.

Remember.... Do not sign any consignment note/delivery docket until you have ensured that the correct number of cartons have been delivered. Always open cartons & check goods immediately on arrival.

**** Full Trading Terms & Conditions of Sale are available on request and are subject to change without notice****

Warranty Statement in Accordance with Australian Consumer Law

Infocus Grafix Pty Ltd, as under the Australian Consumer Law, provides the following warranty for all manufactured items:

Duration of Warranty: This warranty is valid for a period of 12 months from the date of purchase and is applicable to the original purchaser.

Terms and Conditions:

1. **Consumer Rights:** Our goods come with guarantees that cannot be excluded under the Australian Consumer Law. You are entitled to a replacement or refund for a major failure. You are also entitled to have the goods repaired or replaced if the goods fail to be of acceptable quality and the failure does not amount to a major failure.
2. **Coverage:** This warranty covers any defects in materials or workmanship in the product during the specified warranty period.
3. **Exclusions:** The warranty does not cover damages resulting from misuse, abuse, accidents, unauthorised modifications, improper installation, normal wear and tear, or any alterations not performed by Infocus Grafix Pty Ltd. Consumable parts such as gaskets, seals, filters, and other items with limited lifespan, are also excluded from this warranty.
4. **Repair, Replacement, or Refund:** In accordance with the Australian Consumer Law, Infocus Grafix Pty Ltd will repair, replace, or provide a refund for the defective product or its components if it fails to meet the consumer guarantees. The choice of remedy will depend on the nature of the fault and compliance with the ACL.
5. **Claim Process:** To make a warranty claim, the original proof of purchase is required. Please contact Infocus Grafix Pty Ltd directly via the following contact details to initiate a warranty claim:
 - Phone: +612 4577 8621
 - Email: info@artlogic.au
6. All shipping costs associated with returning the product for inspection and any subsequent return of repaired or replaced items are the responsibility of the purchaser.
7. **Limitation of Liability:** Infocus Grafix Pty Ltd shall not be liable for any consequential or indirect damages. This warranty is limited to the repair, replacement, or refund of the product.
8. **No Other Warranties:** This warranty is in compliance with the Australian Consumer Law and does not affect any other rights consumers may have under that law.

For any questions regarding the warranty or the warranty claims process, please contact us at Infocus Grafix Pty Ltd using the provided contact information.

Infocus Grafix Pty Ltd reserves the right to modify or amend this warranty at any time without prior notice.



CONTENTS

	Page
1 Airbrushes, Spray Guns & Sets	6
2 Air Erasers & Accessories	9
3 Air Compressors	10
4 Airbrush Accessories	
4.1 Bottles & Assemblies	13
4.2 Air Hoses	15
4.3 Quick Disconnects	18
4.4 Hose Adaptors	20
4.5 Airline Accessories	21
4.6 Regulators, Moisture Traps, Etc.	22
4.7 Airbrush Holders	23
4.8 Cleaning & Maintenance Items	24
4.9 Spray Booths	26
5 Airbrushing Packages	27
6 Metal Easels, Stools & Accessories	28
7 Aprons	32
8 Painting Accessories	
8.1 Paint Brushes	33
8.2 Paint Brush Holders	34
8.3 Paint Dippers & Brush Washers	35
8.4 Paint Palettes & Art Boxes	36
8.5 Palette Knives & Other Accessories	37
9 Clay Tools	
9.1 Turntables	38
9.2 Extruder Guns	39
10 Cutting Mats	40
11 Knives, Cutters & Blades	41
12 Scalpel Blades & Handles	43
13 Tool Sets – Lino, Wood, Craft	44
14 Rules & French Curves	45
15 Lightboxes	
15.1 LED	46
15.2 Fluorescent	47
16 Art Portfolios & Carry Bags	48
17 Plan/Drawing Tubes	49
18 Hook & Loop	51
19 Index	52

Helpful Airbrush Tips

The Difference Between Single & Double Action Airbrushes

1. Single Action Airbrushes deliver a fixed amount of medium and airflow when the trigger is pressed. This is predetermined prior to use and can be varied on some Single Action Airbrushes by adjusting the needle tip position to control the amount of medium being delivered.
2. Double Action Airbrushes allows the user to control both the medium and the airflow separately by firstly pressing down on the trigger to bring on the air and secondly by pulling the trigger in a backward motion to deliver the medium. Double Action Airbrushes offer greater user control firstly by controlling the airflow and secondly by controlling the medium flow allowing the user to easily fade in and out as required.

The Difference Between Gravity & Siphon Feed Airbrushes

1. Gravity Feed Airbrushes have the colour cup above the airbrush utilising gravity to feed the medium down to the nozzle. They only require a small amount of medium and can operate at lower airflow rates than Siphon Feed Airbrushes. Recommended compressor to pair with a Gravity Feed Airbrush is an *Artlogic* **AC1318** or higher.
2. Siphon Feed Airbrushes have the bottle positioned below the airbrush where the medium is siphoned through a “straw” from the bottom of the bottle up to the nozzle. These airbrushes require a higher airflow rate to operate satisfactorily. Recommended compressor to pair with a Siphon Feed Airbrush is an *Artlogic* **AC2418** or higher.

Airbrush Maintenance

Always clean the airbrush after use. Do not leave standing or allow the medium to dry in the airbrush.

1. Dispense excess medium from colour cup/bottle into a storage container.
2. Rinse and clean colour cup/bottle with water or cleaning agent (such as *Artlogic* Deluxe Acrylic Brush & Airbrush Cleaner, **AC-16**) using a brush to dislodge any paint build up.
3. Fill the colour cup/bottle with water or a cleaning agent and spray through the airbrush until clean.
4. Block the needle cover with a finger and spray. The air will flow backward into the nozzle to clean the remaining paint from inside the airbrush. Repeat if required.
5. Dry the airbrush with towelling and pack away in its proper case.
6. Store in a dry, safe place until required.

There should be no need to disassemble an airbrush for cleaning other than occasionally removing the needle to clean any build-up of dry paint. Needles etc. can be lubricated for smoother action using *Artlogic* Deluxe Airbrush Lubricant **AC-LUB2**.

Compressor Selection

It is critical that the correct compressor is paired with each airbrush. Gravity Feed Airbrushes require less airflow and can be used with an *Artlogic* **AC1376**, **AC1318** or larger. Siphon Feed Airbrushes can be used with an *Artlogic* **AC1418** if only using for short strokes, however most applications will require an **AC2418** or larger.

Airbrushes, Spray Guns & Sets



Elite Pro Series – Double Action, Gravity Feed

Internal Mix with unique frontend design

Size: 0.2mm Needle & Nozzle

Cup: 2cc with Cover

Handle: Metal with “Tail-Stop” Adjustment

Recommended for: Detail Art & Fine Line Work.

Product Code: AC120



Elite Pro Series – Double Action, Gravity Feed

Internal Mix with unique frontend design

Size: 0.5mm Needle & Nozzle

Cup: 9cc with Cover

Handle: Metal with “Tail-Stop” Adjustment

Recommended for: Art, Hobbies & Craft

Product Code: AC135



Double Action Airbrush Set

Internal Mix – Siphon Feed

Size: Comes with 0.5mm Needle & Nozzle PLUS optional change sizes: 0.3mm & 0.8mm

Complete with 2 x 22cc Bottles & Air Hose ****Now with Quick Disconnect****

Handle: Metal Cut-Away with “Tail-Stop” Adjustment

Recommended for: Most Airbrushing Purposes

Product Code: AC278



Double Action - Gravity Feed

Internal Mix Airbrush

Size: 0.3mm Needle & Nozzle

Cup: 7cc with Cover

Handle: Metal Anodized

Recommended for: Art, Make-up, Cake, Hobby, Temp-tattoos, Etc. Can use Inks, Dyes & Acrylics

Best-Selling General-Purpose Artlogic Airbrush

Product Code: AC330



Double Action - Side Feed

Internal Mix Airbrush

Size: 0.3mm Needle & Nozzle

Cup: 7cc Side Feed Cup with Cover

Handle: Metal Anodized

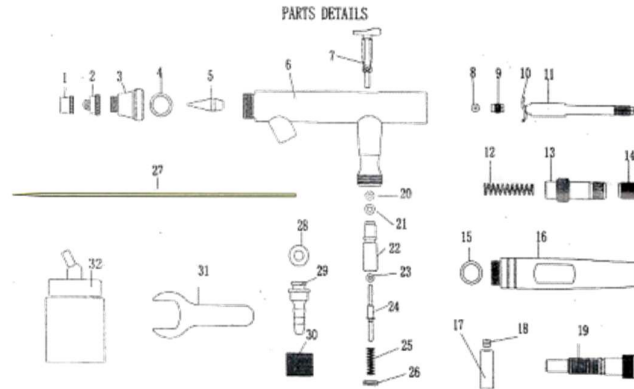
Recommended for: Art, Make-up, Cake, Hobby, Temp-tattoos, Etc. Can use Inks, Dyes & Acrylics.

Note: Optional siphon feed bottles are available [AC01-GSF](#)

Product Code: AC330S

Parts Listings for AC120, AC135, AC330 & AC278

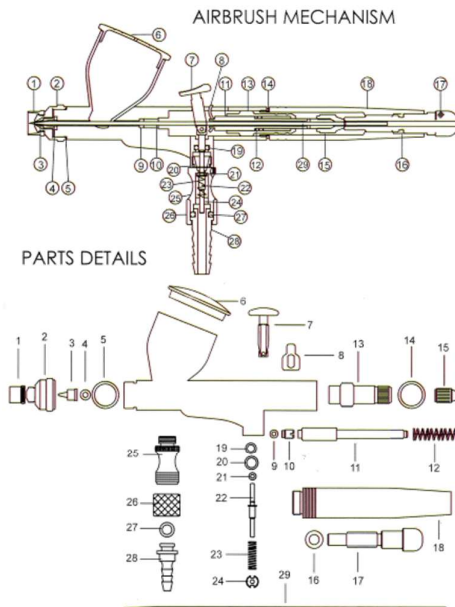
AC278



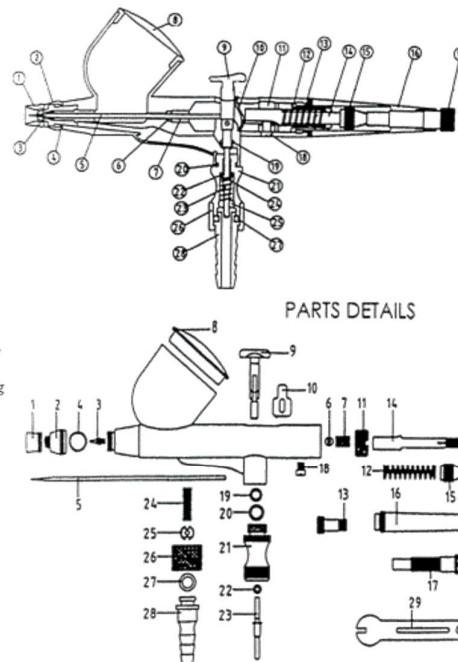
- | | | |
|------------------------|--------------------------|------------------------------|
| 1. Needle Cap | 12. Spring | 23. Air Plunger "O" Ring |
| 2. Nozzle Cap | 13. Spring Case | 24. Air Plunger |
| 3. Head Cap | 14. Needle Chuck Nut | 25. Valve Spring |
| 4. "O" Ring | 15. Handle "O" Ring | 26. Valve Spring |
| 5. Nozzle | 16. Handle Only | 27. Needle 0.3mm/0.5mm/0.8mm |
| 6. Nozzle | 17. Bush | 28. Hose Connector "O" Ring |
| 7. Finger Button | 18. Filature | 29. Hose Connector |
| 8. Needle "O" Ring | 19. Adjusting Screw | 30. Hose Connector Nut |
| 9. Needle Guide | 20. Air Valve "O" Ring | 31. Head Cap Spanner |
| 10. Lever Guide | 21. Air Valve "O" Ring | 32. Glass Jar Assembly 22CC |
| 11. Needle Chuck Guide | 22. Air Valve Guide Body | |

AC120 & AC135

AC330



- | Parts Name |
|--------------------------------|
| 1. Needle Cap |
| 2. Nozzle Cap |
| 3. Nozzle |
| 4. O-Ring for Nozzle |
| 5. O-Ring for Nozzle Cap |
| 6. Lid for Color Cup |
| 7. Operation Lever |
| 8. Lever Guide |
| 9. O-Ring for Needle Guide |
| 10. Needle Guide |
| 11. Needle Chucking Guide |
| 12. Spring |
| 13. Spring Case |
| 14. O-Ring for Handle |
| 15. Needle Chucking Nut |
| 16. O-Ring for Adjusting Screw |
| 17. Adjusting Screw |
| 18. Standard-Handle Adjusting |
| 19. Lever O-Ring |
| 20. Valve O-Ring |
| 21. Valve Rod O-Ring |
| 22. Valve Rod |
| 23. Valve Spring |
| 24. Valve Screw |
| 25. Valve Body |
| 26. Hose Connector Nut |
| 27. O-Ring for Hose Connector |
| 28. Hose Connector |
| 29. Needle |



- | PARTS LISTING |
|-------------------------------|
| 1. Needle Cap |
| 2. Nozzle Cap |
| 3. Nozzle |
| 4. O-Ring for Nozzle Cap |
| 5. Needle |
| 6. O-Ring for Needle Guide |
| 7. Needle Guide |
| 8. Lid for Colour Cup |
| 9. Operation Lever |
| 10. Lever Guide |
| 11. Stopper |
| 12. Spring |
| 13. Spring Case |
| 14. Needle Chucking Guide |
| 15. Needle Chucking Nut |
| 16. Standard-Handle Adjusting |
| 17. Adjusting Screw |
| 18. Guide Screw |
| 19. Lever Guide O-Ring |
| 20. Valve O-Ring |
| 21. Valve Body |
| 22. Valve Rod O-Ring |
| 23. Valve Rod |
| 24. Valve Spring |
| 25. Valve Screw |
| 26. Hose Connector Nut |
| 27. O-Ring for Hose Connector |
| 28. Hose Connector |
| 29. Nozzle Spanner |

Airbrushes, Spray Guns & Sets



“Quick Change” Airbrush - Mini Spray Gun

Single Action - Siphon Feed

Size: 0.5mm Nozzle/Needle

Includes: Airbrush, 4 x quick change 22cc paint jars (complete), 1 x 1.5m plastic hose with M5 end fittings, 1 x hose adaptor M5 x 1/4”F & 1 x hose adaptor 1/8”F x 1/4”M

Recommended for: Body painting, make up, craft, model making, art projects, etc.

Product Code: AC145



Mini Airbrush Spray Gun

Dual Action - Gravity Feed

Size: 0.3mm Needle, 1/8” Inlet

Includes: 2cc and 10cc Gravity Cups

Recommended for: Spraying acrylic backgrounds, touch up work, stencilling, modelling, cake decorating, hobby, craft, etc.

Product Code: AC016

INFORMATION NOTE:

HVLP stands for “High Volume – Low Pressure” which makes these Mini Spray Guns a great choice for Airbrush Artists and Hobbyists when requiring to spray larger areas when using Mini Airbrush Compressors such as the *Artlogic* AC1418 or the AC2418 models with holding tank.



Mini HVLP Spray Gun

Gravity Side Feed

Size: 0.5mm Needle, 1/4” Inlet

Cup: 200cc Aluminium Side Feed Cup

Includes: Cleaning Brush and Nozzle Wrench

Recommended for: Background or touch up work

Product Code: ACS-200



Mini HVLP Spray Gun

Gravity Feed

Size: 0.8mm Needle, 1/4” Inlet

Cup: 125cc Plastic Cup

Includes: Cleaning Brush and Mini Paint Filter

Recommended for: Background or touch up work

Note: Optional 125cc metal colour cup is available ACS-MCC

Product Code: ACS-210P



Mini HVLP Spray Gun

Gravity Feed, Stainless Steel Needle & Nozzle

Size: 0.8mm Needle, 1/4” Inlet

Cup: 120cc Plastic Cup

Includes: Cleaning Brush and Mini Paint Filter

Recommended for: Background or touch up work

Note: Optional 125cc metal colour cup is available, ACS-MCC

Product Code: ACS-225

Air Erasers & Accessories



Mini Air Eraser/Sand Blaster

Gravity Feed, Stainless Steel

Size: 0.5mm Nozzle Diameter

Cup: 15cc Cup Capacity

Includes:

150g Aluminium Oxide Abrasive

1.8m Air Hose

Hanging Bracket

Face Mask

Recommended for: Abrasive etching of glass, timber, metal, or plastics. Can also be used by the professional technician, manufacturer, hobbyist or for dental lab and jewellery work, erasing colour, weathering effects, etc.

Product Code: AC817



Air Eraser/Sandblaster Aluminium Oxide

180 Micron Aluminium Oxide (Al_2O_3)

Suitable for all air erasers/sand blasters

Available in 2 sizes: 1kg or 150g

Product Codes: AC-1KG

AC-150G

INFORMATION NOTE:

Air Erasers can be used for various applications such as etching metal, glass, plastics or timber, removing old paint or rust and can also be used for creating weathered or aged effects. Some examples below.



GLASS ETCHING



WEATHERED/AGED
EFFECT

Air Compressors – Oil-Less



Mini Air Compressor 100W (1/8 HP)

Oil-less Compressor with 0.3L built in tank in an aluminium cabinet with carry handle. **Available in White, Black & Yellow.**

Auto-Stop Function ON/OFF: 2.5/3 bar (36/43 psi) approx.

Power: 100 W (1/8 hp) **Air Delivery:** 20 LPM

Max Pressure: 3 bar (40 psi) **Speed:** 1450 rpm

Weight: 2.8 kgs **Noise rating:** 47 dB

Tank: 0.3 L

Measurements: 160mm(L) x 150mm(W) x 175mm(H)

Includes: In-line mini moisture trap/filter & hose.

Individually carton packed

Note: Recommended for gravity feed airbrushes up to 0.5mm needle/tip sizes only

Product Code: AC1376



Mini Air Compressor 125W (1/6 HP)

Oil-less Mini Compressor Single Cylinder

Auto-Stop Function ON/OFF: 3/4 bar (43/58 psi) approx.

Power: 125 W (1/6 hp) **Air Delivery:** 20 LPM

Max Pressure: 4 bar (58 psi) **Speed:** 1450 rpm

Weight: 3.6 kgs **Noise rating:** 48 dB

Measurements: 250mm(L) x 140mm(W) x 220mm(H)

Includes: Moisture Trap, Pressure Gauge & Regulator

Individually carton packed

Product Code: AC1318



Mini Air Compressor with Tank

Oil-less Mini Compressor Single Cylinder on 3L Tank

Auto-Stop Function ON/OFF: 3/4 bar (43/58 psi) approx.

Power: 125 W (1/6 hp) **Air Delivery:** 20 LPM

Max Pressure: 4 bar (58 psi) **Speed:** 1450 rpm

Weight: 4.5 kgs **Noise rating:** 50 dB

Tank: 3.0 L

Measurements: 310mm(L) x 140mm(W) x 310mm(H)

Includes: Moisture Trap, Pressure Gauge & Regulator

Individually carton packed

Product Code: AC1418



Mini Air Compressor 185W (1/4 HP) Twin Cylinder

Oil-less Mini Compressor Twin Cylinder

Auto-Stop Function ON/OFF: 3/4 bar (43/58 psi) approx.

Power: 185 W (1/4 hp) **Air Delivery:** 35 LPM

Max Pressure: 4 bar (58 psi) **Speed:** 1450 rpm

Weight: 5.5 kgs **Noise rating:** 48 dB

Measurements: 330mm(L) x 140mm(W) x 210mm(H)

Includes: Moisture Trap, Pressure Gauge & Regulator

Individually carton packed

Product Code: AC2318

Air Compressors – Oil-Less



Mini Air Compressor 185W (1/4 HP) Twin Cylinder with Tank

Oil-less Mini Compressor Twin Cylinder on 3L Tank

Auto-Stop Function ON/OFF: 3/4 bar (43/58 psi) approx.

Power: 185 W (1/4 hp)

Air Delivery: 35 LPM

Max Pressure: 4 bar (58 psi)

Speed: 1450 rpm

Weight: 5.5 kgs

Noise rating: 48 dB

Tank: 3.0 L

Measurements: 350mm(L) x 140mm(W) x 330mm(H)

Includes: Moisture Trap, Pressure Gauge & Regulator

Individually carton packed

Product Code: AC2418

Silent Studio Series

The Compressor Range with Air to Spare!

The following compressors have been specifically designed by *Artlogic* for larger capacity, higher airflow, greater pressure range with a silent rating of 45 DB.

The *Artlogic Silent Studio Series* compressors can be used with multiple airbrushes. When attaching additional airbrushes, a multi outlet manifold is required.

The perfect compressors for the studio, professional crafters, teaching and more!



IMAGE
CURRENTLY
UNAVAILABLE

Compact Studio 450W (3/5 HP) Air Compressor Silent Rated Twin Cylinder with 5L Tank

Mounted on Tubular Carry Frame, Silent Rated (45 dB), High Pressure, Oil-less 450 Watt (3/5 hp) Mini Compressor. Twin Cylinder Piston Type on 5L Tank with 60 LPM Air Delivery.

COMING
SOON

Product Code: AC1515



IMAGE
CURRENTLY
UNAVAILABLE

18 VDC Battery Operated Portable 500W (2/3 HP) Silent Rated Air Compressor with Tank

18 VDC Lithium Battery Operated, Portable, Mounted on Tubular Carry Frame, Silent Rated (50 dB), High Pressure, Oil-less 500 Watt (2/3 hp) Mini Air Compressor with Tank.

COMING
SOON

Product Code: AC1525

Air Compressors – Oil-Less

Silent Studio Series Continued



Compact Studio 750W (1 HP) Air Compressor Silent Rated Twin Cylinder with 9L Tank

Silent Rated (45Db), High Pressure, Oil-less 750 Watt (1 hp) Mini Compressor. Twin Cylinder Piston Type on 9L Tank.

Auto-Stop Function ON/OFF: 5/8 bar (72/116 psi) approx.

Power: 750 W (1 hp) **Air Delivery:** 125 LPM

Max Pressure: 8 bar (116 psi) **Speed:** 1450 rpm

Weight: 20 kgs **Noise rating:** 45 dB

Tank: 9.0 L

Measurements: 450mm(L) x 380mm(W) x 380mm(H)

Includes: Moisture Trap, Pressure Gauge & Regulator

Individually carton packed

Product Code: AC1520



MONTANA Series 750W (1 HP) Air Compressor Silent Rated Twin Cylinder on 22L Tank

Silent Rated (45Db), High Pressure, Oil-less 750 Watt (1 hp) Mini Compressor. Twin Cylinder Piston Type on 22L Tank.

Auto-Stop Function ON/OFF: 5/8 bar (72/116 psi) approx.

Power: 750W (1 hp) **Air Delivery:** 125 LPM

Max Pressure: 8 bar (116 psi) **Speed:** 1450 rpm

Weight: 24 kgs **Noise rating:** 45 dB

Tank: 22 L

Measurements: 450mm(L) x 450mm(W) x 560mm(H)

Includes: Pressure Gauge, Regulator & Moisture Trap

Individually carton packed

Product Code: AC1522



Mini Air Compressor Single Cylinder Diaphragm/Membrane Type with Twin 3L Tanks

Silent Rated (45 dB), Oil-less 185 Watt (1/4 hp) Mini Compressor Single Cylinder Diaphragm/Membrane Type with Twin 3L Tanks. Lightweight & compact perfect for the studio or on the move.

Auto-Stop Function ON/OFF: 2/3.5 bar (29/50 psi) approx.

Power: 185 W (1/4 hp) **Air Delivery:** 70 LPM

Max Pressure: 3.5 bar (50 psi) **Speed:** 1450 rpm

Weight: 9.2 kgs **Noise rating:** 45 dB

Tank: 2 x 3.0 L

Measurements: 300mm(L) x 280mm(W) x 360mm(H)

Includes: Moisture Trap, Pressure Gauge & Regulator

Individually carton packed

Product Code: AC1410

Airbrush Accessories – Bottles & Assemblies

RECOMMENDED FOR ACRYLIC MEDIUMS



1oz Glass Bottle Storage with Screw Top Cover

1oz/30cc clear glass paint storage jar with black plastic lid.

Packet of 10

Product Code: AC01-GC10PK



1oz Glass Bottle/Assembly Double Action Generic

Generic 1oz/30cc clear glass bottle complete with lid assembly. Can be used with Artlogic, Paasche, Badger, Sparmax, etc. Double Action Airbrushes.

Product Code: AC01-GD



1oz Glass Bottle /Assembly Single Action Generic

Generic 1oz/30cc clear glass bottle complete with lid assembly. Can be used with Artlogic, Paasche, Badger, Sparmax, etc. Single Action Airbrushes.

Product Code: AC01-GS



1oz Colour Bottle Complete to suit AC330S

1oz/30cc clear glass bottle complete with lid assembly to suit Artlogic **AC330S** Side Feed Airbrush.

Product Code: AC01-GSF



1oz Plastic Bottle/Plastic cover

Black plastic lid to suit 1oz/30cc paint storage jar.

Product Code: AC01-PC



1oz Plastic Bottle Assembly Double Action Generic

Generic 1oz/30cc plastic bottle complete with lid assembly. Can be used with Artlogic, Paasche, Badger, Sparmax, etc. Double Action Airbrushes.

Product Code: AC01-PD



1oz Plastic Bottle Assembly Single Action Generic

Generic 1oz/30cc plastic bottle complete with lid assembly. Can be used with Artlogic, Paasche, Badger, Sparmax, etc. Single Action Airbrushes.

Product Code: AC01-PS

Airbrush Accessories – Bottles & Assemblies

RECOMMENDED FOR ACRYLIC MEDIUMS



3oz Bottle Assembly Single Action Generic

Generic 3oz/90cc clear glass bottle complete with lid assembly. Can be used with Artlogic, Paasche, Badger, Sparmax, etc. Single Action Airbrushes.

Product Code: AC03-GS



3oz Bottle Assembly Double Action Generic

Generic 3oz/90cc clear glass bottle complete with lid assembly. Can be used with Artlogic, Paasche, Badger, Sparmax, etc. Double Action Airbrushes.

Product Code: AC03-GD



3oz Plastic Bottle Assembly for Single Action

Generic 3oz/90cc plastic bottle complete with lid assembly. Can be used with Artlogic, Paasche, Badger, Sparmax, etc. Single Action Airbrushes.

Product Code: AC03-PS



3oz Bottle Assembly Double Action Generic

Generic 3oz/90cc plastic bottle complete with lid assembly. Can be used with Artlogic, Paasche, Badger, Sparmax, etc. Double Action Airbrushes.

Product Code: AC03-PD



80cc Plastic Bottle Assembly Single Action

Generic 80cc plastic bottle complete with lid assembly. Can be used with Artlogic, Paasche, Badger, Sparmax, etc. Single Action Airbrushes.

Product Code: AC-80S



80cc Plastic Bottle Assembly Double Action

Generic 80cc plastic bottle complete with lid assembly. Can be used with Artlogic, Paasche, Badger, Sparmax, etc. Double Action Airbrushes.

Product Code: AC-80D

Airbrush Accessories – Air Hoses



Braided Air Hose – Generic 1/8" x 1/4"

Braided air hose with generic female end fittings. Suitable for Artlogic, Sparmax, Iwata, Holbein, etc. Airbrushes.

Available in Two Lengths: AC021-6 = 1.9m/6ft
AC021-10 = 3m/10ft

Airbrush End Fittings: 1/8"F

Compressor End Fittings: 1/4"F

Product Codes: AC021-6
AC021-10



Braided Air Hose – Generic 1/8" x 1/8"

Braided air hose with generic female end fittings. Suitable for Artlogic, Sparmax, Iwata, Holbein, etc. Airbrushes.

Available in Two Lengths: AC022-6 = 1.9m/6ft
AC022-10 = 3m/10ft

Airbrush End Fittings: 1/8"F

Compressor End Fittings: 1/8"F

Product Codes: AC022-6
AC022-10



Braided Air Hose – To Suit Paasche Airbrushes

Braided air hose with female end fittings suitable for Paasche Airbrushes.

Available in Two Lengths: AC023-6 = 1.9m/6ft
AC023-10 = 3m/10ft

Airbrush End Fittings: M32F (PAASCHE)

Compressor End Fittings: 1/4"F

Product Codes: AC023-6
AC023-10

INFORMATION NOTE:

In Plumbing Fittings:

1/8" = Approx. 7mm Diameter

1/4" = Approx. 13mm Diameter

Airbrush Accessories – Air Hoses



Polyurethane Coiled Air Hose 1/8" x 1/8"

Braided air hose with 1/8" female end fittings. Suitable for Airbrushes/Compressors with 1/8" male fittings.

Fittings: 1/8"F x 1/8"F

Length: 3m/10ft

Product Code: AC026-3



Polyurethane Air Hose M5 x M5 (Badger or Similar)

Braided air hose with M5 female end fittings. Suitable for Badger Airbrushes or similar with M5 Compressor end fitting.

Fittings: M5F x M5F

Length: 1.5m/5ft

Product Code: AC028-5



Polyurethane Air Hose M5 (Badger) x 1/8"

Braided air hose with M5 female end fitting suitable for Badger Airbrushes or similar with 1/8" Compressor end fitting.

Fittings: M5F x 1/8"F

Length: 1.5m/5ft

Product Code: AC029-5



Clear Plastic Air Hose

Braided air hose with generic female end fittings. Suitable for Artlogic, Sparmax, Iwata, Holbein, etc. Airbrushes

Length: 1.9m/6ft

Fittings: 1/8"F x 1/8"F

Product Code: AC024-6



Heavy Duty Rubber Air Hose

Heavy duty rubber air hose with generic female end fittings.

Fittings: 1/4"F x 1/4"F

Available in Two Lengths: AC025-6 = 1.9m/6ft

AC025-10 = 3m/10ft

Product Codes: AC025-6
AC025-10

Airbrush Accessories – Air Hoses



Braided Air Hose with Quick Disconnect & 1/4" Fitting – Suits Badger, Paasche, Iwata, Artlogic, Sparmax, Holbein & More

This new braided air hose is available in three quick disconnect fitting options to suit almost all brands of airbrush. It is 1.9m/6' in length & has a 1/4" female fitting to attach to a compressor, regulator, manifold, etc. depending on the individual set up.

Available in Three Quick Disconnect Options

- 1/8" thread to suit airbrushes for brands such as **ARTLOGIC, SPARMAX, IWATA, HOLBEIN, etc.**
 - **Product Code: AC021-6-QDG**
- M5 thread to suit **BADGER** & similar airbrushes
 - **Product Code: AC021-6-QDB**
- M32 thread to suit **PAASCHE** airbrushes
 - **Product Code: AC021-6-QDP**

Length: 1.9m/6ft

Compressor End Fitting: 1/4"F



Braided Air Hose with Quick Disconnect & 1/8" Fitting – Suits Badger, Paasche, Iwata, Artlogic, Sparmax, Holbein & More

This new braided air hose is available in three quick disconnect fitting options to suit almost all brands of airbrush. It is 1.9m/6' in length & has a 1/8" female fitting to attach to a compressor, regulator, manifold, etc. depending on the individual set up.

Available in Three Quick Disconnect Options

- 1/8" thread to suit airbrushes for brands such as **ARTLOGIC, SPARMAX, IWATA, HOLBEIN, etc.**
 - **Product Code: AC022-6-QDG**
- M5 thread to suit **BADGER** & similar airbrushes
 - **Product Code: AC022-6-QDB**
- M32 thread to suit **PAASCHE** airbrushes
 - **Product Code: AC022-6-QDP**

Length: 1.9m/6ft

Compressor End Fitting: 1/8"F

INFORMATION NOTE:

Airbrush Quick Disconnects can improve the functionality of equipment and increase the efficiency of the airbrushing process by ensuring quick, clean & safe disconnection. They allow the user to change airbrushes in a matter of seconds without loss of air pressure, which is extremely convenient when using multiple airbrushes or changing mediums whilst using a single air hose.

Airbrush Accessories – Quick Disconnects



Quick Disconnect Fitting – Air Hose End

For fast release of the airbrush from the airline without releasing air pressure. Ideal for fast interchange of airbrushes. Suitable for most Sparmax, Artlogic, Iwata, Holbein, etc. air hoses.

Hose End: 1/8" M

Product Code: CT09-001



Quick Disconnect Adaptor – Airbrush End

For fast release of the airbrush from the airline without releasing air pressure. Ideal for fast interchange of airbrushes. Suitable for most Sparmax, Artlogic, Iwata, Holbein, etc. Airbrushes.

Airbrush End: 1/8" F

Product Code: CT09-002



Quick Disconnect Complete (2pc)

For fast release of the airbrush from the airline without releasing air pressure. Ideal for fast interchange of airbrushes. Suitable for Sparmax, Artlogic, Iwata, Holbein, etc. airbrushes with 1/8" air valve connection.

Hose End: 1/8" M **Airbrush End:** 1/8" F

Product Code: CT09-003



Quick Disconnect Complete with Micro Air Valve

Quick Disconnect complete with micro airflow control 1/8" fitting. Suitable for Sparmax, Iwata, Artlogic, Holbein, etc.

Hose End: 1/8" M **Airbrush End:** 1/8" F

Product Code: CT09-004



Quick Disconnect Complete (2pc M5 BADGER)

For fast release of the airbrush from the airline without releasing air pressure. Ideal for fast interchange of airbrushes. Suitable for **BADGER & similar** airbrushes with M5 threads and allows the use of generic air hoses with a 1/8" F fitting.

Note: Suitable for use with **AC021 & AC022** Air Hoses

Product Code: CT09-005



Quick Disconnect Complete (2pc M32 PAASCHE)

For fast release of the airbrush from the airline without releasing air pressure. Ideal for fast interchange of airbrushes. Suitable for **PAASCHE** airbrushes with M32 threads and allows the use of generic air hoses with a 1/8" F fitting.

Note: Suitable for use with **AC021 & AC022** Air Hoses

Product Code: CT09-006

Airbrush Accessories – Quick Disconnects



Quick Disconnect Fitting Complete 1/4" NPT

For fast release of equipment from the airline without releasing air pressure.

Male End: 1/4" M NPT **Female End:** 1/4" F NPT

Product Code: CT05-001



Quick Disconnect Adaptor 1/4" Male

For fast release of equipment from the airline without releasing air pressure.

Male End: 1/4" M NPT

Product Code: CT05-003



Quick Disconnect Socket 1/4" Female

For fast release of equipment from the airline without releasing air pressure.

Female End: 1/4" F NPT

Product Code: CT05-004



Air Control Adaptor – 1/8"

Suits Airbrushes with 1/8" M intake such as Sparmax, Iwata, Artlogic, Holbein, etc.

Airbrush End: 1/8" F **Hose End:** 1/8" M

Product Code: ACA-001



Bleed Valve – 1/8"

Bleed Valve allows fine control of air pressure, releasing excess air before it reaches the airbrush

1/8" F In x 1/8" M Out

Product Code: ACA-002



Air (Propellant) Can Valve – 1/8" or 1/4"

Available in two male outlet sizes: ACA-003 = 1/8" M

ACA-004 = 1/4" M

Product Codes: ACA-003

ACA-004

Airbrush Accessories – Hose Adaptors



**1/8" Hose Adaptor
Badger**
1/8" M x Badger Airbrush
End
Product Code: SHA-001



**1/8" Hose Adaptor
Paasche**
1/8" M x Paasche Airbrush
End
Product Code: SHA-002



**1/8" Hose Adaptor
Aztek**
1/8" M x Aztek Airbrush
End
Product Code: SHA-006



Hose Adaptor
1/8" F x 1/4" M NPT
Product Code: SHA-003



Hose Adaptor
1/8" M x 1/4" F NPT
Product Code: SHA-004



Hose Adaptor
1/4" F to M5 Badger
Airbrush End
Product Code: SHA-005



**Connection 1/8" F x
1/8" M**
Product Code: SHA-007



**Connection 1/4" F x
1/4" M**
Product Code: SHA-008



**Connection 1/8" M x
1/8" M**
Product Code: SHA-009



**Connection 1/4" M x
1/4" M**
Product Code: SHA-011



**Connection 1/8" M x
1/4" M**
Product Code: SHA-010

INFORMATION NOTE:

'M' denotes external Male thread.

'F' denotes internal Female thread.

Hose adaptors are used to convert standard air hoses to match various airbrush brands that have dedicated thread sizes e.g. Paasche, Badger, etc., and for other connection purposes.

Airbrush Accessories – Airline Accessories



Outlet Stop Cap 1/8"

1/8"F Stop Cap

Product Code: ACA-005



Butterfly Connection 1/8"M x 1/8"F

Product Code: ACA-008



Non-Return Valve

Suits Artlogic **AC1318** &
AC1418 compressors

Product Code: ACA-007



Drain Valve for Tank 1/8"M

Product Code: ACA-011



3 Way Connector

1/8"F x 1/4"F x 1/8"M

Product Code: ACA-013



3 Way Connector

1/8"F x 1/4"F x 1/8"F

Product Code: ACA-015



3 Way Connector

1/8"F x 1/8"M x 1/8"M

Includes 1 x 1/8" Stop Cap

Product Code: AC-TP2



Outlet Stop Cap 1/4"

1/4"F Stop Cap

Product Code: ACA-006



Butterfly Connection 1/4"m x 1/4"F

Product Code: ACA-009



Safety Release Valve - Tank 1/8"M

Product Code: ACA-010



3 Way Connector

1/8"F x 1/8"F x 1/8"M

Product Code: ACA-012



3 Way Connector

1/8"F x 1/4"F x 1/4"F

Product Code: ACA-014



4 Way Connector

1/8"F x 1/8"F x 1/8"F x
1/8"F

Product Code: ACA-016



4 Way Connector

1/8"F x 1/8"M x 1/8"M x
1/8"M

Includes 2 x 1/8" Stop Caps

Product Code: AC-TP3

Airbrush Accessories – Regs, Moisture Traps, Etc.



Mini Airbrush Moisture Trap

Mini in-line Moisture Trap & Filter with 1/8" connection fittings connecting directly to the airbrush. The clear filter glass allows a visual inspection of built-up moisture which is able to be emptied through a spring-loaded release valve without taking the filter off the airbrush

Product Code: AC-F4

Mini Inline Airbrush Moisture Trap

Mini in-line Moisture Trap & Filter with 1/8" connection fittings connecting directly to the airbrush. The clear filter glass allows a visual inspection of built-up moisture. Includes replacement filters.

Product Code: AC-F8

Moisture Trap & Gauge

Moisture Trap with Pressure Gauge

0 – 6.9 bar (100psi)

1/8" x 1/8" Male Inlet/Outlet fittings

Product Code: AC-MTG

Regulator, Moisture Trap & Gauge - Standard

Pressure Regulator, Moisture Trap with Pressure Gauge

0 – 100psi

Supplied with choice of 3 Inlet/Outlet fittings; 1 x 1/8" M x 1/4" M & 2 x 1/8" M x 1/8" M

Product Code: AC-REG

Regulator, Moisture Trap & Gauge - Deluxe

Heavy Duty Steel Body Pressure Regulator, Brass Filter & Moisture Trap with Pressure Gauge 0 – 100psi.

Supplied with mounting bracket and choice of 3 Inlet/Outlet fittings; 1 x 1/8" M x 1/4" M & 2 x 1/8" M x 1/8" M

Product Code: AC-RED

INFORMATION NOTE:

Moisture Traps are used to collect moisture that is present in compressed air when cooled and prevents this moisture entering the airline. A must have airbrushing accessory especially in humid areas, etc., to ensure clean, dry air being delivered to the airbrush.

Airbrush Accessories – Airbrush Holders



Professional Multi-Combo Airbrush Holder

Two airbrush hangers that suits any combination of gravity feed, siphon feed or trigger style airbrushes. Includes support brackets for cleaning pot & regulator/moisture trap. Securely clamps and mounts on a table edge up to 76mm thick.

Note: Equipment in image is not included with this product.

Product Code: AC180



Airbrush Carousel Multi Hanger

Holds up to 8 airbrushes and sits on table or bench top.

6 x 1/8" male individual branch valves allowing 6 airbrushes to be connected to air at all times.

360-degree rotary pressure gauge.

Product Code: AC150



Airbrush Holder for Regulator

This Dual Gravity Feed Airbrush Holder is designed to be attached to your regulator.

Regulator mounting hole is 30mm.

Product Code: AC155



Airbrush Holder Multi Type

Fits 2 x Siphon Feed & 2 x Gravity Feed Airbrushes.

Complete with stand including suction feet for stability.

***Most popular general purpose Airbrush Stand!**

Product Code: AC160



Airbrush Holder Multi Table Mount

Fits 2 x Siphon Feed or 2 x Gravity Feed Airbrushes.

Securely clamps and mounts on a table edge, up to 50mm thick.

Product Code: AC170



Multi Airbrush Holder

Fits 2 x Siphon Feed & 2 x Gravity Feed Airbrushes.

All holders can be rotated to desired working angle.

Securely clamps and mounts on a table edge up to 50mm thick, with thumb twist holder.

Product Code: AC14815

Airbrush Accessories – Cleaning & Maintenance



Airbrush Cleaning Pot - Deluxe

This 3 in 1 cleaning pot has all the accessories.
Large glass jar Diameter 130mm x Height 160mm.
Comes complete with airbrush holder & spare filter pads.
Plastic cover can be used as a mixing palette

Note: Airbrushes in image are not included with this product.

Product Code: AC777



Airbrush Cleaning Pot

Suitable for all **Gravity Feed Guns**.
Comes complete with airbrush stand and filter.
Easy clean 95mm diameter glass jar and plastic lid.
Includes spare filter pad and airbrush seal.

Note: Airbrush in image is not included with this product.

Product Code: AC777A



Airbrush Nozzle Cleaning Tool

Ideal for clearing airbrush nozzles blocked with dried paint.
Designed for nozzles from 0.3mm to 1.2mm.

Product Code: AC1432



Airbrush Cleaning Brush Set with Wires 100mm

Ideal brush set for cleaning and maintenance. Can be used to clean airways and paint build up in hard-to-reach areas as well as small parts. A must have accessory for all airbrushes.
Packed 10pcs including 5 pipe cleaner brushes (2mm to 5mm diameter) and 5 wires on hang-up display blister pack

Product Code: AC1430



Airbrush Cleaning Brush Set Medium

Ideal brush set for cleaning and maintenance. Can be used to clean airways and paint build up in hard-to-reach areas as well as small parts. A must have accessory for all airbrushes.
Packed 5 pipe cleaner brushes (3mm to 7mm diameter) on Hang-Up display blister pack

Product Code: AC1429



Airbrush Cleaning Brush Set 10 Piece 200mm

Ideal brush set for cleaning and maintenance. Can be used to clean airways and paint build up in hard-to-reach areas as well as small parts. A must have accessory for all airbrushes.
Packed 10pcs on Hang-Up display blister pack

Product Code: AC1433



Deluxe Airbrush Cleaning Set 12 Piece

The ultimate set for cleaning and maintenance. Includes:

- 1 x 'Toothbrush' style brush - 180mm (7")
- 1 x Pipe cleaner style brush - 155mm (6")
- 5 x Small pipe cleaner style brushes - 100mm (4")
- 5 x Wires - 100mm (4")

Product Code: AC1434

Airbrush Accessories – Cleaning & Maintenance



Deluxe Airbrush Lubricant

Specially formulated airbrush lubricant to enhance the airbrushing experience.
Use as a needle lubricant or on other moving parts for a smoother trigger action.

Volume: 50ml

Product Code: AC-LUB2



Deluxe Acrylic Brush & Airbrush Cleaner

Recommended for water based acrylic paints and primers.
Product can be used with natural or synthetic fibres and airbrushes as first choice deluxe cleaning agent.

Volume: 473ml/16oz

Product Code: AC-16



Electric Paint Shaker

Easy way to shake paint bottles for a complete mix of colour.
Supplied complete with AC/DC power adaptor.

Size: 60mm(L) x 90mm(W) x 60mm(H)

Rotational Speed: 3200 rpm

Product Code: AC-PSB



Cleaning & Maintenance Kit

Includes all accessories and products that are required to maintain any brand of airbrush so they perform at their ultimate best.

Recommended when using water based acrylic paints and primers.

Includes:

- 1 x Deluxe Airbrush Lubricant 50ml - [AC-LUB2](#)
- 1 x Deluxe Acrylic Brush & Airbrush Cleaner - [AC-16](#)
- 1 x Deluxe Airbrush Cleaning Set 12 Piece - [AC1434](#)
- 1 x Airbrush Nozzle Cleaning Tool - [AC1432](#)
- 1 x Airbrush Cleaning Pot - [AC777A](#)

Product Code: AC-CMK

Airbrush Accessories – Spray Booths



Airbrush Spray Booth - Hobby

Complete with **SINGLE Exhaust Motor, Exhaust Kit, LED Lighting & Plastic Turntable**

Power: 12 VDC (Power Adaptor Included)

Airflow: 4 m³/min

LED Light: 1200 LUX

Weight: 3.5 kgs

Noise rating: 45 dB

Working Area: 410mm(W) x 380mm(D)

Size (Folded): 420mm(L) x 150mm(W) x 240mm(H)

Size (Expanded): 480mm(L) x 420mm(W) x 360mm(H)

Product Code: AC1420DCK



Airbrush Spray Booth - Studio

Complete with **TWIN Exhaust Motors with Variable Speed Control, Exhaust Kit, LED Lighting & Plastic Turntable**

Power: 12 VDC (Power Adaptor Included)

Airflow: 9 m³/min

LED Light: 2340 LUX

Weight: 3.8 kgs

Noise rating: 53 dB

Working Area: 540mm(W) x 330mm(D)

Size (Folded): 550mm(L) x 270mm(W) x 320mm(H)

Size (Expanded): 550mm(L) x 480mm(W) x 360mm(H)

Product Code: AC1540LCK



Water Filter Spray Booth – Deluxe Studio

Complete with **THREE Exhaust Motors with Variable Speed Control, Exhaust Kit, LED Lighting, Plastic Turntable & Water Pump**

Power: 12 VDC (Power Adaptor Included)

Airflow: 11 m³/min (adjustable) LED Light: 2430 LUX

Weight: 8.7 kgs (empty)

Noise rating: 53 dB

Output (Water Pump): 15 LPM

Water Sink Capacity: 10 L (Operating 6 L min/9.5 L max)

Working Area: 590mm(W) x 300mm(D) x 490mm(H)

Size (Folded): 600mm(L) x 270mm(W) x 460mm(H)

Size (Expanded): 600mm(L) x 490mm(W) x 500mm(H)

Water Curtain Area: 470mm(W) x 280mm(H)

Product Code: AC1550LRC

ACCESSORIES



Exhaust Extraction Kit

Compatible with AC1420DCK, AC1540LCK & AC1550LRC Spray Booths.

Product Code: AC1420EK

Replacement Filters

Replacement filters to suit AC1420DCK & AC1540LCK.

Product Code: AC1420FLTR



Accessory Holder Tray

A convenient tray to hold your airbrushing accessories for easy access. Suits AC1420DCK Spray Booth. **Note accessories or Spray Booth not included.**

Product Code: AC1420AH

Airbrushing Packages



Portable Airbrush Kit Dual Power AC/DC

Recommended for Cosmetics & Cake Decorating. For Gravity Feed Airbrushes Only, Maximum Needle/Nozzle Size 0.35mm

Includes:

- 1 x Portable Mini Air Compressor
- 1 x AC021-6 Braided Hose
- 1 x Power Adaptor for use on Mains Power
- 1 x Power Adaptor for Charging Battery Pack
- 1 x Compact Carry Case

Product Code: PAK-001



Easy Start Airbrush Kit

Recommended for Student, Cosmetics, Nails, Art, Cake Decorating, etc.

Includes:

- 1 x AC1376 Mini Air Compressor
- 1 x AC330 Double Action, Gravity Feed Airbrush
- 1 x AC021-6 Braided Hose
- 1 x AC-F4 In-line Moisture Trap

Product Code: AES-004



Standard Airbrush Kit

Suitable for Students, Modellers, Craft, etc.

Includes:

- 1 x AC1318 Mini Air Compressor
- 1 x AC330 Double Action, Gravity Feed Airbrush
- 1 x AC021-6 Braided Hose

Product Code: SAK-003



Hobby Airbrush Kit

Suitable for Hobby, Craft, etc.

Includes:

- 1 x AC1418 Single Cylinder Mini Air Compressor with 3L Tank
- 1 x AC330 Double Action, Gravity Feed Airbrush
- 1 x AC016 Airbrush Spray Gun
- 1 x AC021-6 Braided Hose

Product Code: HAK-004



Master Airbrush Kit

A General Purpose Kit for most Airbrush applications i.e. Art, Hobby, Models, Craft, etc.

Includes:

- 1 x AC2418 Twin Cylinder Mini Air Compressor with 3L Tank
- 1 x AC278 Double Action Airbrush Set which includes;
 - 1 x AC278 Double Action Airbrush supplied with 0.5mm Medium Needle/Nozzle etc.
 - Two change sizes: 0.3mm Fine & 0.8mm Broad Needle etc.
 - 1 x AC021-6QDG Braided Hose with Quick Disconnect
 - 2 x Complete 22cc Colour Bottle Assemblies

Product Code: MAK-002

Metal Easels, Stools & Accessories



Desktop Easel - Large

Display or Desktop/Tabletop Easel perfectly suited for small spaces or temporary setup.

Lightweight, sturdy black aluminium construction

Holds a canvas up to maximum 68 cm in height

Adjustable back leg for working angle adjustment with rubber capped feet for Desktop/Tabletop protection and to avoid slippage.

Comes predominantly preassembled with instructions for final assembly. No tools required.

Folds easily for travel or storage

Total Easel Height: 81 cm

Max Canvas Height: 68 cm

Weight: 1.55 kg

Folded Size: 77.5 x 9 x 6 cm

Product Code: AC15610



Studio Floor Easel

Highly functional and stable single mast Studio Floor Easel.

Perfect for an Artist's Studio or as a Floor Display Easel.

Quick and easy to adjust both height and angle.

Rubber capped feet for stability and floor protection.

Lightweight, sturdy black aluminium construction.

Includes built in storage with palette and brush holders.

Holds an A0 canvas in portrait.

Adjustable back leg for working angle adjustment and folds flat for easy storage or travel.

Comes predominantly preassembled with instructions for final assembly. No tools required.

Total Easel Height: 175 cm

Max Canvas Height: 119 cm

Weight: 3.4 kg

Folded Size: 132 x 11.5 x 9.5 cm

Product Code: AC15650

Metal Easels, Stools & Accessories



A Frame Easel - Medium

Highly functional and stable A Frame Easel. Perfect for an Artist's Studio or as a Floor Display Easel.

Quick and easy to adjust both height and angle.

Rubber capped feet for stability and floor protection.

Lightweight, sturdy 40mm black aluminium construction.

Adjustable back leg for working angle adjustment and folds flat for easy storage or travel.

Comes predominantly preassembled with instructions for final assembly. No tools required.

Total Easel Height: 125 cm

Max Canvas Height: 92 cm

Weight: 1.35 kg

Folded Size: 125 x 60 x 8.5 cm

Product Code: AC15520



Table Top Display Easel

Lightweight, sturdy black aluminium construction.

Holds a canvas up to maximum 50 cm in height.

Adjustable wings for additional canvas support.

Split back leg for working angle adjustment.

Folds easily for travel or storage.

Comes with storage/carry bag.

Total Easel Height: 58 cm

Bottom Bar: 34cm x 3 cm

Product Code: AC15255

*Packed in a Full Colour Display Box



Folding Artist's Stool

Black aluminium construction, lightweight & sturdy.

Comfortable tri-pod design.

Includes black nylon carry bag.

Max. Supported Weight: 85 kg

Unfolded Stool Height: 45 cm

Product Code: AC15400

Metal Easels, Stools & Accessories



Metal Sketch/Travel Easel

Lightweight tripod style height adjustable easel with rubber feet for table top use.

Holds canvas up to 81 cm high

Ideal for student or display, easy to store

Comes with nylon carry bag

Extended Size: 90 X 90 X 165 cm

Folded Size: 51 X 7 X 7 cm

Weight: Approx. 1 kg

Product Code: AC15182

*Packed in a Full Colour Display Box



Tripod Travel Easel - Deluxe

Ideal field, studio, floor standing or tabletop easel.

Fits canvas sizes up to 122 cm (H) x 3.8 cm (D) x 8 kgs in weight.

Sturdy, stable, lightweight and compact.

Telescoping legs – one touch mechanism

Spring loaded top canvas clamp

Extended Size: 175cm High

Folded Size: 63 x 10 x 7 cm

Weight: Approx. 1.2 kg (including carry bag)

Product Codes: AC15350

Metal Easels, Stools & Accessories



Watercolour Metal Easel

Portable watercolour easel, lightweight and sturdy. Tripod style height adjustable, easy butterfly nut adjustment. Swivel arm holder for Vertical or Horizontal frame position. Comes with nylon carry bag. Frame holder max. H74 cm (using leg rest max. H135 cm)

Extended Size: 120 x 120 x 203 cm

Folded Size: 80 x 10 x 5 cm

Max Canvas Height: 137 cm

Product Code: AC15131



Easel Aluminium Deluxe

Lightweight, sturdy, compact & portable with nylon carry bag. Swivel arm for vertical or horizontal frame position. Adjustable telescopic tripod legs for variable working heights. Single touch adjust mechanism. Rubber feet for extra stability on uneven surfaces or table top. Adjustable frame height to 120 cm when using shelf rest. Frame Carrier max height 54 cm in horizontal or vertical position.

Weight: 1.62 kg (including carry bag)

Folded Size: 66 x 10 x 7 cm

Product Code: AC15325

*Packed in a Full Colour Display Box



Aprons



Canvas Adult Artist's Apron

Aprons designed for the working creative artist. Complete with 10 assorted pockets, 4 X Brush Holders & 2 X Tool Holder straps to keep all work accessories handy. Made of plasticised canvas. Adjustable neck & waist band straps for comfort.
Available in Two Colours: Black & Beige or Beige & Black
Dimensions: 70 cm(H) x 58 cm(W)

Product Codes: *AC21205-BLK*
AC21205-BGE



Canvas Craft Apron Adult White

White Canvas Craft Apron
Size: 72cm(H) x 60cm(W)

Product Code: *AC21116*



Polyester Apron Adult Maroon

Maroon Polyester with Blue Trim Craft Apron
Size: 82cm(H) x 60cm(W)

Product Code: *AC21316*



Polyester Apron Adult Black

Black Polyester with Black Trim Craft Apron
Size: 82cm(H) x 60cm(W)

Product Code: *AC21316BK*



Polyester Apron Child Green

Green Polyester Craft Apron with White Trim & 2 pockets
Size: 54cm(H) x 44cm(W) - Suitable for children 3 - 6 yrs.

Product Code: *AC21317*



Polyester Apron Child Orange/Yellow

Orange Polyester Craft Apron with blue trim, full length yellow arms & 2 pockets
Size: 54cm(H) x 44cm(W) - Suitable for children 2 - 4 yrs.

Product Code: *AC21329*

Painting Accessories – Paint Brushes



Brush Set 15pc

Hang up Synthetic Hair & Wood Handle
6 flat & 9 round in various sizes.

Product Code: AC20011



Brush Set 5 pc

Synthetic Hair & Wood Handle
Fine round detailing brushes.
Sizes #'s 10/0, 0, 2, 4, 5/0

Product Code: AC20012



Brush Set 5 pc

Synthetic Hair & Wood Handle
2 x Flat Sizes #'s 5/8 & 3/8
3 x Round Sizes #'s 00, 0, 1

Product Code: AC20014



Brush Set 5 pc

Synthetic Hair & Wood Handle
4 x Flat Sizes #'s 3/4, 3/8, 6, 4
1 x Round Size # 1

Product Code: AC20015



Brush Set 5 pc

Camel Hair & Wood Handle
2 x Flat Sizes #'s 1/4 & 3/4
3 x Round Sizes #'s 4, 2 & 0

Product Code: AC20016



Fan Brush Set 7pc set

Synthetic Hair & Wood Handle
Size #'s 0, 2, 4, 6, 8, 10 & 12

Product Code: AC20123



Line/Stencil Brush Set 5 pc

Synthetic Hair & Wood Handle
Size #'s 0, 2, 4, 8 & 12

Product Code: AC20130



Dagger Brush Set 5pc

Synthetic Hair Wood Handle
Size #'s 2, 4, 6, 8 & 10

Product Code: AC20132

Painting Accessories – Paint Brush Holders



Paint Brush Wallet - OIL

Made of black woven nylon fabric.

Stiffened hardboard covers for better brush protection with internal soft lining and foam padding.

Single zipper closure and easy hold carry handle.

Two internal pockets and 16 brush holders in assorted sizes for easy storage.

Size: 152mm(W) x 368mm(L)

Note: Paint brushes not included.

Product Code: AC-OCL



Paint Brush Wallet - WATER

Made of black woven nylon fabric.

Stiffened hardboard covers for better brush protection with internal soft lining and foam padding.

Single zipper closure and easy hold carry handle.

Two internal pockets and 16 brush holders in assorted sizes for easy storage.

Size: 152mm(W) x 279mm(L)

Note: Paint brushes not included.

Product Code: AC-WCS



Paint Brush Wallet - Easel

Unique design to carry & protect paint brushes. Foam padded with stitched elastic to hold brushes securely.

Wallet opens to easel style holder for easy brush selection.

Draw string cord for working angle adjustment.

Holds 12 brushes.

Size Folded: 350mm(L) x 155mm(W)

Note: Paint brushes not included.

Product Code: AC-BEW



Plastic Brush Caddy

Ideal desk caddy for brush storage or other art tools.

Flat packed for easy assembly.

Assembled Dimensions: 150mm(D) x 125mm(H) x 49 Brush Cavities

Note: Paint brushes not included.

Product Code: AC11051

Painting Accessories – Paint Dippers & Brush Washers



Paint Dipper Single Plastic

Single plastic cup with screw on lid and clip to attach to most palettes. Can be used for acrylic mediums.

Volume: 22cc

Cup Size: 50mm(D) x 22mm(H)

Product Code: AC11003



Paint Dipper Double Plastic

Double plastic cup with screw on lid and clip to attach to most palettes. Can be used for acrylic mediums.

Volume: 22cc each

Cup Size: 50mm(D) x 22mm(H) each

Product Code: AC11004



Paint Dipper Single Stainless Steel

Single stainless-steel cup with screw on lid and clip to attach to most palettes. Can be used for acrylic & oil mediums or solvents.

Volume: 22cc

Cup Size: 38mm(D) x 20mm(H)

Product Code: AC11019



Paint Dipper Double Stainless Steel

Double stainless-steel cup with screw on lid and clip to attach to most palettes. Can be used for acrylic & oil mediums or solvents.

Volume: 22cc each

Cup Size: 38mm(D) x 20mm(H) each dipper

Product Code: AC11020



Brush Washer Economy

Stainless Steel construction with removable mesh screen. Dual functionality spiral handle allows brushes to suspend bristles in cleaning agent or upended to dry. Suitable for water and solvent based cleaning agents.

Overall Size: 105mm(D) x 210mm(H)

Product Code: AC11040



Brush Washer Deluxe

Stainless steel construction with removable mesh screen and clip lock lid for easy storage. Dual functionality spiral handle allows brushes to suspend bristles in cleaning agent or upended to dry.

Suitable for water and solvent based cleaning agents.

Size: 155mm(D) x 140mm(H)

Product Code: AC11012



Brush Washer Deluxe Professional

Stainless steel construction with removable mesh screen. Clip lock lid with gasket allows transport without spillage. Suitable for water and solvent based cleaning agents.

Size: 150mm(D) x 150mm(H)

Product Code: AC11049

Painting Accessories – Paint Palettes & Art Boxes



Palette Plastic Round 10 Well

Palette consists of 10 individual wells for different colours with a large centre well for colour mixing.

Constructed of durable plastic.

Size: 7"/125mm Diameter

Product Code: AC18408



Palette Plastic Rectangular 6 Well

Palette consists of 6 individual wells for different colours.

Constructed of durable plastic.

Size: 87mm(W) x 125mm(L)

Product Code: AC18409



Palette Plastic Round 14 Well (2 pc)

Palette consists of 2 pieces, each with 6 individual wells for different colours with a large centre well for colour mixing.

Constructed of durable plastic.

Size: 175mm Diameter

Product Code: AC18413



Palette Plastic Rectangular 10 well

Palette consists of 5 round wells and 5 larger rectangular wells for different individual colours or colour mixing.

Constructed of durable plastic.

Size: 193mm(L) x 115mm(W)

Product Code: AC18415



Art Box Blue

Clear Plastic Lids, Double Sided, Movable inserts

Size: 220mm(W) x 295mm(L) x 60mm(H)

Perfect for storing parts, paints, brushes, etc.

Product Code: AC18908



Art Box Clear

Plastic Movable Inserts

Size: 260mm(W) x 125mm(L) x 60mm(H)

Perfect for storing parts, paints, brushes, etc.

Product Code: AC18912

Painting Accessories – Palette Knives & Other Accessories



Palette Knife Set Metal

Used predominantly for mixing colours, to create texture in artwork and cake decorating.

Metal construction with wooden handle.

5pc Blister pack

Product Code: AC11928



Palette Knife Set PVC

Used predominantly for mixing colours, to create texture in artwork and cake decorating.

Constructed of plastic PVC

Size: 150-155mm

Product Code: AC11929



Palette Knife Set 5pc Italian Style

Used predominantly for mixing colours, to create texture in artwork and cake decorating.

Metal construction with wooden handle.

Product Code: AC11949



Spatter Screen Round

Round, stainless steel constructed spatter screen for use in painting, cake decorating, etc.

Size: 120mm Diameter

Product Code: AC11017



Electric Paint Shaker

Easy way to shake paint bottles for a complete mix of colour.

Supplied complete with AC/DC power adaptor.

Size: 60mm(L) x 90mm(W) x 60mm(H)

Rotational Speed: 3200 rpm

Product Code: AC-PSB

Clay Tools - Turntables



Plastic Turntable/Banding Wheel – Black

Ideal for Craft & Model Makers.
Manufactured in rigid black plastic.
Concentric rings on wheel to assist in centring product.
Size: 180mm(D) x 30mm(H)

Product Code: AC018



Mini Turntable/Banding Wheel – Low Profile

Rotates on 9 ball bearings for easy turning with non-slip rubber protection pads on the bottom. Manufactured in rigid black plastic.

Size: 190mm(D) x 15mm(H)

Product Code: AC019



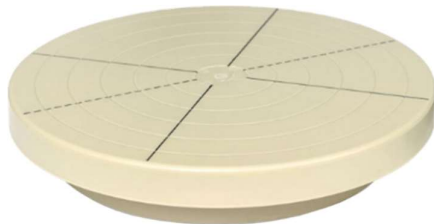
Plastic Turntable/Banding Wheel – White

Multi-purpose turntable suitable for craft, hobby & airbrushing applications. Manufactured in rigid plastic.

Concentric rings on wheel to assist in centring product.

Size: 275mm(D) x 75mm(H)

Product Code: AC027



Banding Wheel Plastic

Manufactured in rigid plastic with smooth ball bearing wheel rotation.

Concentric rings on wheel to assist in centring product.

Size: 200mm(D) x 35mm(H)

Product Code: SCS03



Sculpture Turntable Metal - Large

Manufactured in cast metal with ball bearing in one-piece pressed construction.

Comes complete with 'non-slip' rubber base to protect work bench.

Concentric rings on wheel to assist in centring product.

Size: 300mm(D) x 135mm(H)

Product Code: AC11200



Sculpture Turntable Metal - Small

Manufactured in cast metal with ball bearing in one-piece pressed construction.

Comes complete with 'non-slip' rubber base to protect work bench.

Concentric rings on wheel to assist in centring product.

Size: 180mm(D) x 110mm(H)

Product Code: AC11210

Clay Tools – Extruder Guns



Clay Tool Set Plastic 7 pc Set

7 pc Yellow Plastic Clay Tool Set

Great for clay, modelling, cake decorating, etc.

Product Code: AC11270



Clay Gun 9" with 18 Dies

All metal design with 50mm diameter aluminium barrel.

Complete with 18 assorted dies and a plastic nozzle.

Total Length: 335mm Barrel Diameter: 50mm

Product Code: AC11025



Clay Gun with 19 Dies

Mini Paste/Clay Extruder – Aluminium Hand Type

Complete with 19 assorted dies and storage case.

Packed on hang-up blister card.

Total Length: 165mm Barrel Diameter: 18mm

Product Code: AC11028



Clay Gun Twist Type with 20 Dies

Mini Paste/Clay Extruder – Metal Twist Type

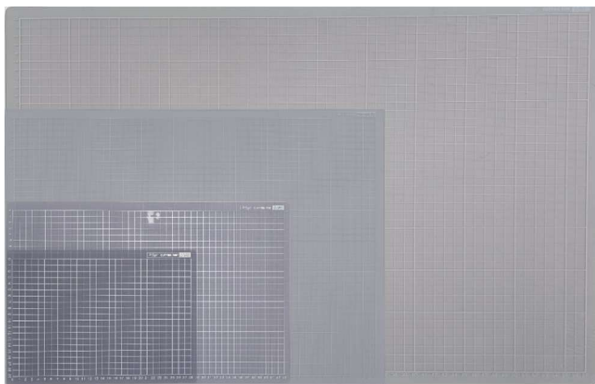
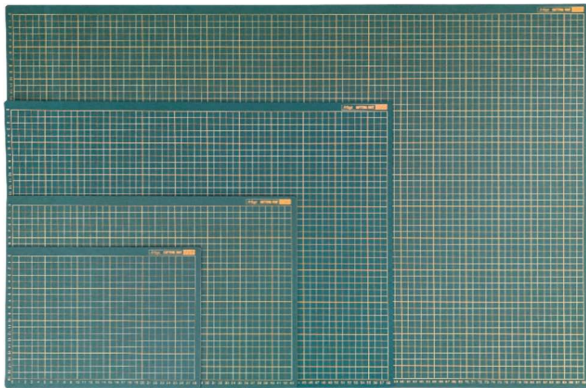
Complete with 20 assorted dies and storage case

Packed on hang-up blister card.

Total Length: 165mm Barrel Diameter: 18mm

Product Code: AC11029

Cutting Mats



Cutting Mats

Features:

- 3 layers
- 3mm thick
- Double sided printed grid - 1cm x 1cm with 5cm highlight.
- Self-healing
- Non reflective
- Non slip
- Reversible
- Professional quality

Available in 4 Sizes – A4, A3, A2 & A1

A4 – 3mm x 30cm x 22cm

A3 – 3mm x 45cm x 30cm

A2 – 3mm x 60cm x 45cm

A1 – 3mm x 90cm x 60cm

Available in Green & Translucent

PRODUCT CODES:

Green:

ACM-A4G

ACM-A3G

ACM-A2G

ACM-A1G

Translucent:

ACM-A4T

ACM-A3T

ACM-A2T

ACM-A1T

Knives, Cutters & Blades



Knife Small Standard

Plastic body with slide lock.

Segmented snap-off blade 9 x 80 x 0.4mm

Replacement Blade Product Code: [AC32030](#) (10pk)

Carton Qty: 24pcs

Product Code: AC33100



Knife Small Deluxe

Plastic body with metal insert and thumb screw lock.

Segmented snap-off blade 9 x 80 x 0.4mm

Replacement Blade Product Code: [AC32030](#) (10pk)

Carton Qty: 24pcs

Product Code: AC33110



Knife Large Standard

Plastic body with slide lock.

Segmented snap-off blade 18 x 100 x 0.4mm

Replacement Blade Product Code: [AC32010](#) (10pk)

Carton Qty: 24pcs

Product Code: AC33120



Knife Large Deluxe

Plastic body with metal insert and thumb screw lock.

Segmented snap-off blade 18 x 100 x 0.5mm

Replacement Blade Product Code: [AC32010](#) (10pk)

Carton Qty: 12pcs

Product Code: AC33130



Knife Large Professional

Alloy body with metal insert, rubber grip and slide lock.

Segmented snap-off blade 18 x 100 x 0.5mm

Replacement Blade Product Code: [AC32010](#) (10pk)

Carton Qty: 12pcs

Product Code: AC33140

Knives, Cutters & Blades



Knife Utility Cutter

Alloy body with cushioned rubber handle.

Auto safety retractable blade.

Dual slotted blade 19 x 61 x 0.8mm

Replacement Blade Product Code: [AC12052](#) (5pk)

Carton Qty: 12pcs

Product Code: AC33150



Art Knife

Cushion grip and safety cap.

10mm diameter aluminium handle.

Suits #11 Art Blade.

Suitable for professional artists, hobby, craft, etc.

Replacement Blade Product Code: [AC32250](#) (5pk)

Carton Qty: 24pcs

Product Code: AC33160



Art Knife

Shaped cushion grip handle and safety cap.

Easy grip covered metal handle.

Suits #11 Art Blade.

Cushioned ergonomic contoured grip.

Suitable for professional artists.

Replacement Blade Product Code: [AC32250](#) (5pk)

Carton Qty: 24pcs

Product Code: AC33170

SPARE BLADES:



Small Snap-off - *Product Code: AC32030*



Large Snap-off - *Product Code: AC32010*



Stanley Type Blade - *Product Code: AC12052*



Art Blade No. 11 - *Product Code: AC32250*

Scalpel Blades & Handles



Scalpel Blade #10

Carbon Steel
100pc per box

Product Code: RSB-10



Scalpel Blade #11

Carbon Steel
100pc per box

Product Code: RSB-11



Scalpel Blade #14

Carbon Steel
100pc per box

Product Code: RSB-14



Scalpel Blade #22

Carbon Steel
100pc per box

Product Code: RSB-22



Scalpel Blade #25

Carbon Steel
100pc per box

Product Code: RSB-25



Scalpel Blade #10A

Carbon Steel
100pc per box

Product Code: RSB-10A



Scalpel Blade #12

Carbon Steel
100pc per box

Product Code: RSB-12



Scalpel Blade #15

Carbon Steel
100pc per box

Product Code: RSB-15



Scalpel Blade #24

Carbon Steel
100pc per box

Product Code: RSB-24



Scalpel Blade #26

Carbon Steel
100pc per box

Product Code: RSB-26



Stainless Steel Scalpel Handle

Stainless Steel Metal Scalpel Handle with metric scale to 6cm. Easily gripped, light weight, adaptable precision blade mount, autoclavable.

Handle #3 Fits Blades 10, 10A, 11, 12, 14, 15 & 16

Handle #4 Fits Blades 18, 19, 20, 21, 22, 23, 24, 25 & 26

Carton qty 10pcs

*Product Codes: RSH-3
RSH-4*

Tool Sets – Lino, Wood, Craft



Lino Tool Set 7pc

Lino Tool set complete with hard plastic handle and 7 assorted metal cutting blades to give different styles of cut.

Product Code: AC11582



Mini Saw Set 13pc

Contains 1 x Aluminium Handle & 2 sets of 6 x Mini Saw Blades Suitable for artists, architects, graphic designers, hobbyists and modelers for use on plastics, clay, soft wood, etc.

Replacement Blade Product Code: AC-MSS-BL6 (6pc)

Product Code: AC-MSS



Multi-Purpose Knife Box Set 44pc

Contains 6 x Aluminium Handles, 1 x Heavy Duty Plastic Hobby Handle, 37 x Assorted Blades, 5 x Metal Scribes, 1 x Sharpening Stone & 1 x Tube Super Glue.

Multi-purpose to suit modellers, crafters and carvers - will scribe, etch, cut and shape any project.

Product Code: AC18450



Standard Knife Set 13pc

Contains 3 assorted handles: Large Hobby, Large Art & Slim Art plus 10 x Assorted Blades.

Multi-purpose to suit modellers, crafters and carvers.

Product Code: AC18455



Carving Chisel Set 13pc

Contains 8 x Metal Carving Chisels with Cushion Grip Handles (approx. length 210mm), 2 x Rasp Files and 3 x Shaped Sharpening Stones. Complete in canvas roll for easy storage.

Ideal wood carving chisel set for model makers, crafters & ice sculpture.

Product Code: AC11597



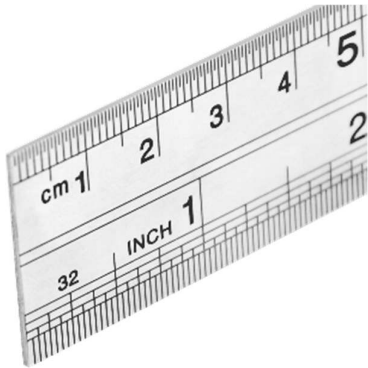
Carving Chisel Set 12 pc

Contains 12 x Metal Carving Chisels with Moulded Handles (approx. length 185mm). Complete in PVC roll for easy storage.

Ideal for anyone starting into woodwork or carving.

Product Code: AC11598

Rules & French Curves



Stainless Steel Rule

Metric and Imperial measurements.

Available in Five Sizes:

- 150mm/6"(L) x 19mm/3/4" (W) x 0.6mm
 - **Product Code: AC015**
- 300mm/12"(L) x 28.5mm/1 1/8"(W) x 1.00mm
 - **Product Code: AC030**
- 450mm/18"(L) x 28.5mm/1 1/8"(W) x 1.00mm
 - **Product Code: AC045**
- 600mm/24"(L) x 28.5mm/1 1/8"(W) x 1.2mm
 - **Product Code: AC060**
- 1000mm/40"(L) x 35mm/1 3/8"(W) x 1.2mm
 - **Product Code: AC100**

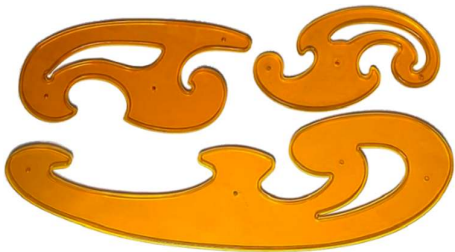


Aluminium Non-Slip Rule

Metric aluminium rule with a rubber strip on the base to avoid slippage during use.

Available in Three Sizes:

- 300mm
 - **Overall Size:** 314mm(L) x 41mm(W) x 5mm
 - **Product Code: AC610-30**
- 600mm
 - **Overall Size:** 614mm(L) x 41mm(W) x 5mm
 - **Product Code: AC610-60**
- 1000mm
 - **Overall Size:** 1014mm(L) x 41mm(W) x 5mm
 - **Product Code: AC610-100**



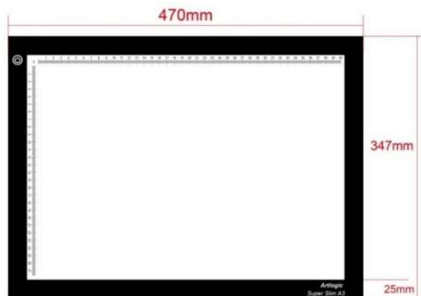
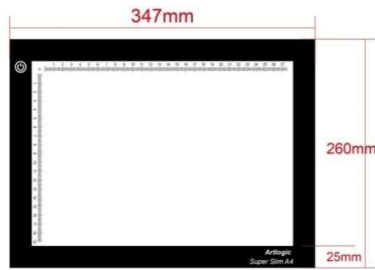
French Curves Set of 3

A useful design aid offering a range of concave and convex curves.

Packed in Clear Hang-up pack

Product Code: AC03106

Lightboxes - LED



Super Slim LED Lightboxes

Available in 4 Sizes: A4/A3/A2/A1

Features:

- Super slim 9mm thickness
- Constructed with hardened glass top mounted on acrylic base
- Metric scale on top & left-hand side edge for easy alignment of art work etc
- Touch sensitive ON/OFF switch
- Touch adjustable illumination control with digital memory device
- Lightweight, sleek design
- Super bright LED lighting with a 30,000 hours of life rating
- LEDs emit very little heat so the viewing area remains cool at all times
- Supplied with AC240V/50HZ – DC12V Power adaptor compliant to Australian/NZ Standards AS/NZ 62368.1.2018
AU Plug portion: AS/NZ 3112:2017
Replacement Power Adaptor Product Code: [AC-LEDPA-5MM](#)

Packaging:

A4, A3 & A2 individually packed in full colour display carton.

A1 is individually packed in hard plain cardboard carton.

PRODUCT CODES:

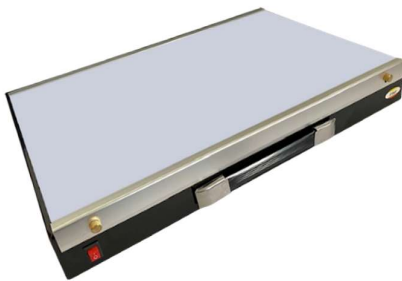
LED-A4 347mm x 260mm x 9mm
Master Carton – 10pcs

LED-A3 470mm x 347mm x 9mm
Master Carton – 5pcs

LED-A2 644mm x 470mm x 9mm
Master Carton – 3pcs

LED-A1 904mm x 604mm x 9mm
Master Carton – 1pc

Lightboxes Fluorescent



Fluorescent Lightboxes

Available in 2 sizes – A2 & A3

Features:

- Metal casing with opaque acrylic top
- Top angled at 10 degrees for ease of drawing & slide viewing
- Complete with 6500K/20W daylight corrected fluorescent tube/s
- ON/OFF switch
- Earthed 3 pin power cord
- Double thickness carry handle
- 2 x adjustable side rails to secure cutting mat or grid sheet for layout design work
- 2 x rear keyhole slots for wall mounting if required

PRODUCT CODES:

AC-A3LB

Size: A3

Overall Dimensions: 48(L) x 31(W) x 8.5cm(H)

Work Area: 47(L) x 31cm(W)

Lighting: 1 x 6500K/20W Fluoro tube

Nett Weight: 2.75kg

Packed Weight: 3.4kg

Master Carton Quantity: 5pcs

AC-A2LB

Size: A2

Overall Dimensions: 63(L) x 46(W) x 10cm(H)

Work Area: 62(L) x 43.5cm(W)

Lighting: 2 x 6500K/20W Fluoro tube

Nett Weight: 4.9kg

Packed Weight: 5.9kg

Master Carton Quantity: 3pcs

Art Portfolios & Carry Bags



Soft Terylene Art Portfolio

Soft type, manufactured in black terylene with extra corner protection.

Adjustable shoulder strap and carry handle with single side zipper.

Available in 2 Sizes: A3 & A2

*Product Codes: ACP203-A3
ACP203-A2*



Portfolio Economy A2

Black Polypropylene with zipper and fold down handles.

Available in 2 Sizes: A3 & A2

*Product Codes: ACP303-A3
ACP303-A2*



Mega Portfolio

Stylish black nylon fabric with 7.5cm gusset inserts. Comes complete with shoulder strap, two internal zippered pockets and three pen / marker holder pockets.

The perfect all-round art portfolio.

Available in 3 Sizes: A3, A2 & A1

*Product Codes: ACP400-A3
ACP400-A2
ACP400-A1*



AC-DB3 - Drawing Bag A3

Padded black nylon fabric with 4cm gusset allowing for extra storage. Comes complete with shoulder strap & zippered front pencil case. The perfect accessory for any A3 drawing board & accessories.

Product Code: AC-DB3

Plan/Drawing Tubes



Plan Tube Black Plastic - Small

Black plastic, three section extendable type drawing or drafting tube for easy and safe storage with adjustable carry strap.

Diameter: 7.5cm

Length: Extends from 63 to 99cm

Product Code: AC11300

Plan Tube Black Plastic - Medium

Black plastic, three section extendable type drawing or drafting tube for easy and safe storage with adjustable carry strap.

Diameter: 10cm

Length: Extends from 54 to 80cm

Product Code: AC11303

Plan Tube Black Plastic - Large

Black plastic, three section extendable type drawing or drafting tube for easy and safe storage with adjustable carry strap.

Diameter: 12.5cm

Length: Extends from 77 to 125cm

Product Code: AC11306

Plan Tube Black Rigid Plastic

Black plastic, three section extendable type drawing or drafting tube for easy and safe storage with adjustable carry strap.

Internal Diameter: 7cm

Length: Extends from 64 to 108cm

Product Code: AC11610

Plan Tube Black Rigid Plastic - Junior

Black plastic, three section extendable type drawing or drafting tube for easy and safe storage with adjustable carry strap.

Internal Diameter: 9cm

Length: Extends from 76 to 120cm

Product Code: AC11615

Plan Tube Black Rigid Plastic - Large

Black plastic, three section extendable type drawing or drafting tube for easy and safe storage with adjustable carry strap.

Internal Diameter: 12cm

Length: Extends from 76 to 122cm

Product Code: AC11620

Plan/Drawing Tubes

INDIVIDUAL COLOUR SELECTION



Drawing/Plan Tube – Various Colours

Sleek square design with rounded edges which makes removing plans/drawings easy. Flip style opening end cap with a lip style catch. Comes complete with adjustable carry/shoulder strap. Hard plastic moulded.

Diameter: 7.5cm

Length: 62cm

These plan tubes are available in 5 colours:

- Black
- Cream
- Light Grey
- Aubergine
- Dark Blue

Product Codes: *AC11310-BLK*

AC11310-CRM

AC11310-LGY

AC11310-AUG

AC11310-DBL

PACK OF 6



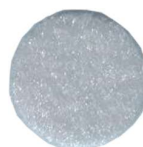
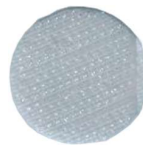
Drawing/Plan Tube Pack of 6

Pack of 6 coloured plan tubes. Includes;

- 2 x Black
- 1 x Cream
- 1 x Light Grey
- 1 x Aubergine
- 1 x Dark Blue

Product Code: *AC11310-PK6*

Hook & Loop



Hook - Black Adhesive Backed Tape

Size: 25mm x 25m Roll

Product Code: *HT25BK*

Loop - Black Adhesive Backed Tape

Size: 25mm x 25m Roll

Product Code: *LT25BK*

Hook - Black Adhesive Backed Dot

Size: 22mm x 900pc Roll

Product Code: *HD22BK*

Loop - Black Adhesive Backed Dot

Size: 22mm x 900pc Roll

Product Code: *LD22BK*

Hook - White Adhesive Backed Tape

Available in two lengths

Size: HT22WH = 25mm x 25m Roll

HT25WH-1M = 25mm x 1m Cut Length

Product Codes: *HT25WH*

HT25WH-1M

Loop - White Adhesive Backed Tape

Available in two lengths

Size: LT22WH = 25mm x 25m Roll

LT25WH-1M = 25mm x 1m Cut Length

Product Codes: *LT25WH*

LT25WH-1M

Hook - White Adhesive Backed Dot

Available in two lengths

Size: HD22WH = 22mm x 900pc Roll

HD22WH-36 = 22mm x 36pcs Cut Length

Product Codes: *HD22WH*

HD22WH-36

Loop - White Adhesive Backed Dot

Available in two lengths

Size: LD22WH = 22mm x 900pc Roll

LD22WH-36 = 22mm x 36pcs Cut Length

Product Codes: *LD22WH*

LD22WH-36

INDEX

Acrylic Brush & Airbrush Cleaner	25	French Curve Set	45
Adaptors & Fittings	20-21	Hobby & Craft Knife Sets	44
Air Control Adapter	19	Hook & Loop Fastening	51
Air Erasers & Accessories	9	Hose Adaptors & Fittings	20-21
Air Hoses	15-17	HVLP Spray Guns	8
Airbrush Accessories & Fittings	13-26	Knife Sets	44
Airbrush Cleaning & Maintenance	24	Knives, Cutters & Blades	41-43
Airbrush Cleaning Brushes	24	Light Boxes - Fluorescent	47
Airbrush Cleaning Pots	24	Light Boxes - LED	46
Airbrush Compressors	10-12	Lino Tool Set	44
Airbrush Hints & Tips	5	Moisture Traps & Regulators	22
Airbrush Holders	23	Multi-Purpose Cutting Sets	44
Airbrush Hoses	15-17	Paint Brush Cleaner	27
Airbrush Lubricant	25	Paint Brush Holder / Easel	34
Airbrush Nozzle Cleaning Tool	24	Paint Brush Washers	35
Airbrush Spare Parts	7	Paint Brushes	33
Airbrushes	6-8	Paint Dippers	35
Airbrushing Packages	27	Paint Shaker	25 +37
Airline Accessories	21	Painting Accessories	32-37
Aluminium Oxide (Al ₂ O ₃)	9	Palette Knives	37
Aluminium Rules – Non-Slip	45	Palettes	36
Aprons	32	Plan Tubes	49-50
Art Boxes	36	Portfolios & Carry Cases	48
Art Cases	48	Pottery Tools	37-39
Art Knives	42	Pressure Gauges	22
Artist Palettes	36	Propellant Can Valve (Air Can Valve)	19
Artist's Stool	29	Quick Disconnect Fittings	18-19
Banding Wheels	38	Quick Disconnect Hoses	17
Blades & Blade Sets	41-44	Regulators & Moisture Traps	22
Bottles & Assemblies	13-14	Rules	45
Brush Caddy	34	Saw Set (Mini)	44
Brush Wallet	34	Scalpel Blades & Handles	43
Brush Washers	35	Sculpture Turntables	38
Carry Case	48	Snap-Off Knives & Blades	41-42
Carving Sets – Wood	44	Spatter Screen	37
Chisel Sets	44	Specialised Portfolios & Carry Cases	48
Clay Guns	39	Spray Booths & Accessories	26
Clay Tools	37-39	Spray Guns	8
Compressors	10-12	Stainless Steel Rules	45
Cutting Mats	40	Terms & Conditions of Sale (General)	2
Drawing Board Bag	48	Tracing Boxes	46-47
Drawing Tube / Plan Carrier	49-50	Turntables Metal & Plastic	38
Easels	28-31	Warranty Statement	3
Folios & Art Cases	48	Wood Carving Sets	44

Niche Products that Inspire the Creative Spirit



**FOR SERVICE, ORDERS OR PRODUCT
INFORMATION CONTACT**

Email: info@artlogic.au

Phone: +612 4577 8621